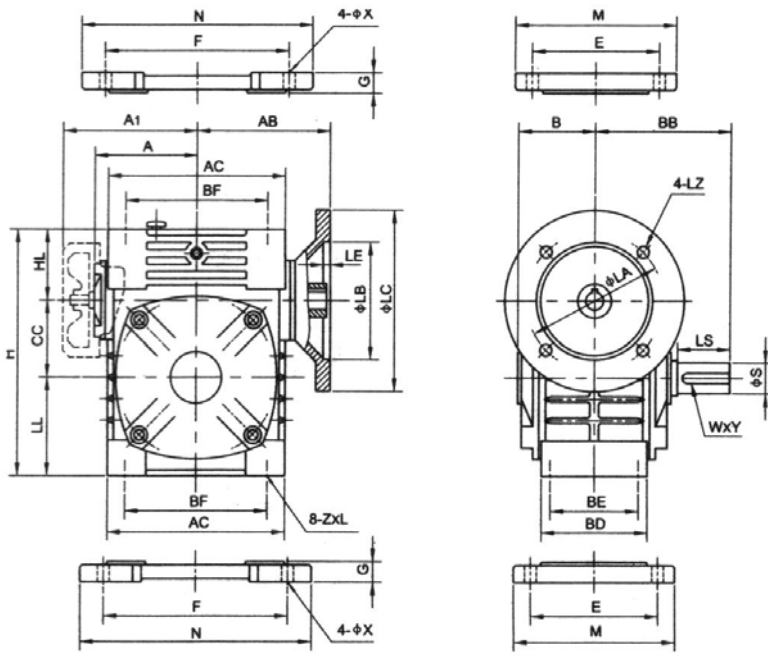


# BHM



NEMA Frame	LA	LB	LC	LE	LZ	Input	
						Bore	Keyway
56C	5.875	4.50	6.50	0.16	0.43	0.625	3/16 3/32
143TC/145TC	5.875	4.50	6.50	0.16	0.43	0.875	3/16 3/32
182TC/184TC	7.250	8.50	9.00	0.23	0.55	1.125	1/4 1/8
213TC/215TC	7.250	8.50	9.00	0.23	0.55	1.375	5/16 5/32
254TC/256TC	7.250	8.50	10.00	0.23	0.55	1.625	3/8 3/16

Size	Ratio	A	A	AB	AC	B	BB	BD	BE	BF	CC	H	HL	LL	Z	L
40		2.58		3.92	3.94	1.85	3.31	2.68	2.13	3.15	1.575	5.00	1.34	2.09	5/16-18	0.63
50	5:1	2.85		4.19	4.48	2.08	3.82	2.72	1.97	3.54	1.969	5.91	1.38	2.56	5/16-18	0.63
60	10:1	3.15		4.43	5.00	2.20	4.33	2.99	2.13	3.94	2.362	6.97	1.65	2.95	3/8-16	0.75
63	15:1	3.37		4.67	5.51	2.36	4.45	3.46	2.69	4.87	2.480	7.32	1.89	2.95	3/8-16	0.75
70	20:1	3.76		4.63	6.10	2.52	5.12	3.31	2.56	4.92	2.756	8.46	2.16	3.54	3/8-16	0.75
80	30:1	4.11		5.84	6.69	2.85	5.51	3.94	2.76	5.51	3.150	9.84	2.56	4.13	3/8-16	0.75
100		4.78		6.51	8.03	3.33	6.42	4.49	3.54	7.09	3.937	12.20	3.15	5.12	1/2-13	0.94
120	40:1	6.10	8.26	7.48	10.24	3.94	7.28	5.04	3.94	8.66	4.724	14.57	3.74	6.10	1/2-13	0.94
135	50:1	6.89	9.06	8.32	11.65	4.33	8.27	5.91	4.33	10.24	5.315	16.73	4.13	7.28	5/8-11	1.13
155	60:1	7.64	10.24	9.35	12.99	5.20	9.92	6.69	4.72	11.02	6.102	18.15	4.05	7.99	5/8-11	1.13
175		8.78	11.42	11.02	14.57	5.71	10.31	7.32	5.51	12.60	6.890	20.51	4.84	8.78	3/4-10	1.38

Size	Output Shaft			With Horizontal Base						NEMA Frame	
	S	LS	W x Y	E	F	M	N	G	X	56C	
40	0.625	1.38	3/16 3/32	3.54	3.94	4.33	4.92	0.51	0.39	56C 140TC	
50	0.750	1.57	3/16 3/32	3.74	4.33	4.72	5.51	0.59	0.43	56C 140TC	
60	1.000	1.97	1/4 1/8	4.13	4.72	5.12	5.91	0.71	0.43	56C 140TC	
63	1.000	1.97	1/4 1/8	4.33	5.91	5.51	7.09	0.71	0.43	56C 140TC	
70	1.125	2.36	1/4 1/8	4.53	5.91	5.91	7.48	0.71	0.59	56C 140TC 180TC	
80	1.375	2.56	5/16 5/32	5.31	7.09	6.69	8.66	0.71	0.59	56C 140TC 180TC	
100	1.500	2.95	3/8 3/16	6.10	8.66	7.48	10.63	0.79	0.59	180TC 210TC	
120	1.750	3.35	3/8 3/16	7.09	10.24	9.06	12.60	0.98	0.71	180TC 210TC	
135	2.250	3.74	1/2 1/4	7.87	11.42	9.84	13.78	1.18	0.71	180TC 210TC	
155	2.500	4.33	5/8 5/16	8.66	12.60	11.02	14.96	1.26	0.79	180TC 210TC	
175	2.750	4.33	5/8 5/16	9.84	13.78	12.20	16.14	1.46	0.79	180TC 210TC 50TC	