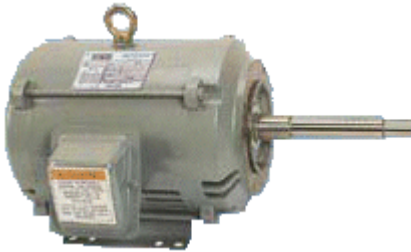
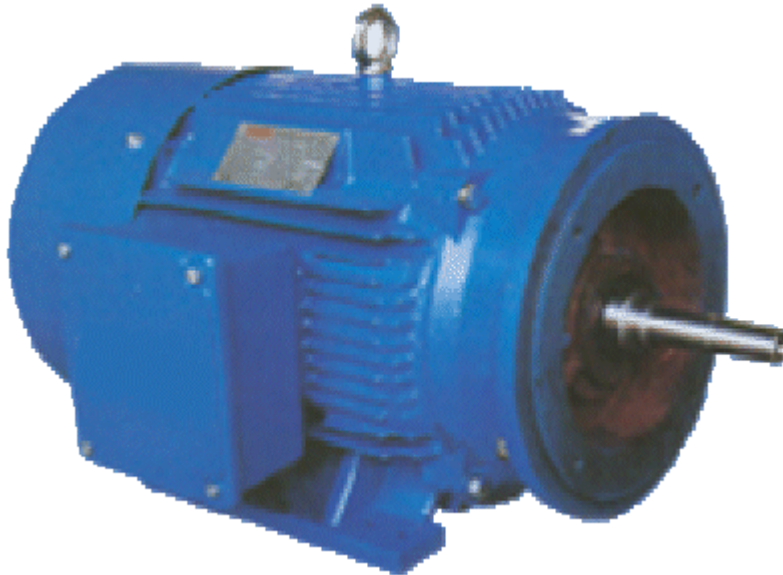


## Closed-couple Electric Motors



**Rolled Steel Frame ODP  
143JM(JP) ~ 215JM(JP)**

- High efficiency in accordance with EPACT
- Cast iron frame and rolled steel frame available
- Lead separator in conduit JM
- 208~203/460V, 575V @ 60HZ or at request
- Service factor 1.15 continuous duty
- F class insulation
- B design, C design available at request



**Cast Iron Frame TEFC  
143JM(JP)~326JM(JP)**



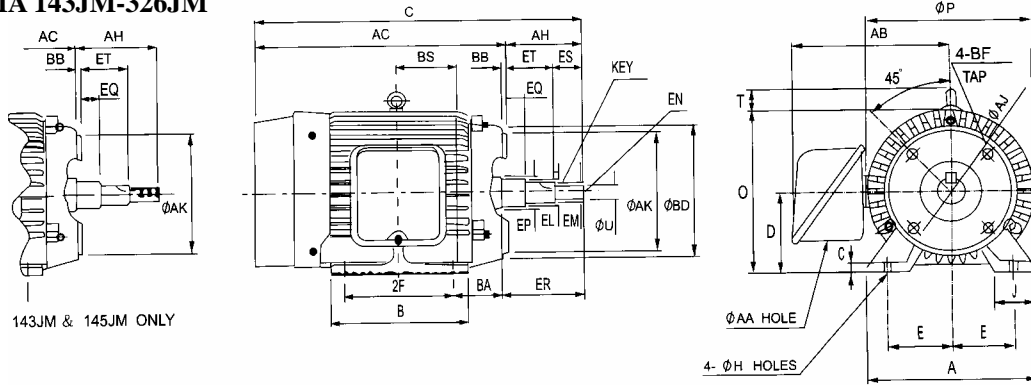
**Rolled Steel Frame TEFC  
143JM(JP) ~ 215JM(JP)**

# JM&JP CLOSE-COUPLED PUMP MOTORS PERFORMANCE DATA

HP	RPM	Frame	Conn- ection	Code	Current at 460v			Torque			Efficiency	Power Factor	Gross Weig ht
					Idle (A)	Full Load (A)	Lock ed Rotor	Full Load (lb-ft)	Lock ed Rotor	Break Down (%)	Full Load (%)	Full Load (%)	
1	1724	143JM 143JP	2Y/Y	H	1.0	1.7	30	3.2	200	300	82.5	78.0	46
1.5	3442	143JM 143JP	2Y/Y	L	0.74	2.1	40	2.3	180	250	82.5	84.0	45
1.5	1716	145JM 145JP	2Y/Y	L	1.1	2.4	40	4.6	260	200	84.0	71.5	57
2	3442	145JM 145JP	2Y/Y	H	1.0	2.7	50	3.1	180	240	84.0	85.0	54
2	1710	145JM 145JP	2Y/Y	H	1.6	3.0	50	6.2	210	270	84.0	78.0	57
3	3503	182JM 182JP	2Y/Y	J	1.3	3.9	64	4.5	175	230	85.5	86.0	82
3	1746	182JM 182JP	2Y/Y	H	1.7	4.2	64	9.0	200	250	87.5	79.0	86
5	3493	184JM 184JP	2Y/Y	H	1.9	6.3	92	7.6	170	215	87.5	88.0	99
5	1736	184JM 184JP	2Y/Y	H	2.7	6.6	92	15.3	190	225	87.5	82.5	101
7.5	3505	213JM 213JP	2ΔΔΔ	H	2.0	9.6	127	12.0	165	200	88.5	88.0	139
7.5	1748	213JM 213JP	2ΔΔΔ	H	3.6	9.7	127	24.0	185	215	89.5	84.0	150
10	3505	215JM 215JP	2ΔΔΔ	H	2.9	12.5	162	15.0	160	200	89.5	88.5	160
10	1743	215JM 215JP	2ΔΔΔ	G	5.4	12.6	162	30.1	180	200	89.5	87.5	174
15	3522	254JM 254JP	2ΔΔΔ	G	4.7	17.8	232	22.5	155	200	90.2	89.5	253
15	1759	254JM 254JP	2ΔΔΔ	G	6.1	18.4	232	44.8	175	200	91.0	85.0	275
20	3522	256JM 256JP	2ΔΔΔ	G	5.7	20.9	290	29.9	150	200	90.2	90.0	264
20	1756	256JM 256JP	2Δ/ΔΔ	G	7.8	24.6	290	60.1	170	200	91.0	85.5	316
25	3522	284JM 284JP	2ΔΔΔ	G	8.0	29.4	183	37.1	180	200	91.0	91.0	455
25	1769	284JM 284JP	2Δ/ΔΔ	G	11.3	30.1	183	74.6	200	200	92.4	87.0	506
30	3535	286JM 286JP	2ΔΔΔ	G	11.2	35.2	218	444.5	190	200	91.0	90.0	539
30	1767	286JM 286JP	2ΔΔΔ	G	12.1	35.4	218	89.5	200	200	92.4	88.0	550
40	3542	324JM 324JP	2ΔΔΔ	G	17.4	47.8	290	59.5	170	200	91.7	89.0	539
40	1785	324JM 324JP	2Δ/ΔΔ	G	16.0	46.9	290	119.2	180	200	93.0	88.0	572
50	3563	326JM 326JP	2ΔΔΔ	G	17.7	57.6	363	74.4	180	200	92.4	91.0	640
50	1785	326JM 326JP	2ΔΔΔ	G	19.5	57.8	363	149.1	180	200	93.0	88.4	638

## TEFC C FACE MOUNTING WITH BASE

### 1-50 HP NEMA 143JM-326JM



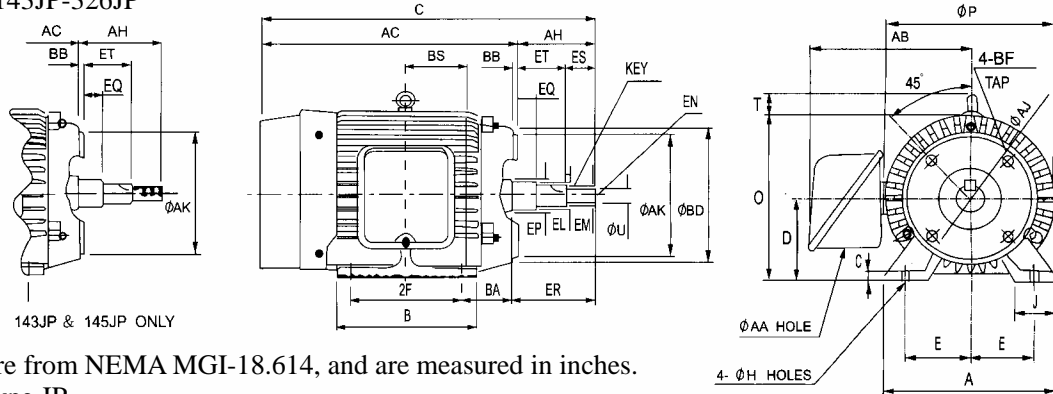
All dimension are from NEMA MG1-18.614, and are measured in inches.

### Dimensions for type JM

Frame	MOUNTING															BEARING	
	E	F	H	BA	A	B	C	D	G	J	L	M	O	P	T	DE	ODE
143JM	2.75	2.0	0.34	2.25	7.0	6.0	12.5	3.5	0.512	1.45	6.05	3.976	7.7	7.4	0	6205	6205
145JM	2.75	2.0	0.34	2.25	7.0	6.0	13.5	3.5	0.512	1.45	6.55	4.469	7.7	7.4	0	6205	6205
182JM	3.75	2.25	0.41	2.75	9.0	6.5	15.3	4.5	0.669	2.04	7.35	4.77	9.0	9.37	1.58	6306	6306
184JM	3.75	2.75	0.41	2.75	9.0	7.5	16.0	4.5	0.669	2.04	7.85	5.276	9.0	9.17	1.58	6306	6306
213JM	4.25	2.75	0.41	3.5	10.5	7.5	19.0	5.25	0.787	2.45	9.25	5.945	10.5	10.9	1.97	6308	6308
215JM	4.25	3.50	0.41	3.5	10.5	9.0	22.5	5.25	0.787	2.45	10.1	6.693	10.5	10.9	1.97	6308	6308
254JM	5.0	4.13	0.53	4.25	12.5	10.8	23.4	6.25	0.866	2.87	10.9	7.992	12.8	13.0	2.35	6309	6308
256JM	5.0	5.0	0.53	4.25	12.5	12.5	25.1	6.25	0.866	2.87	11.8	8.858	12.8	13.0	2.35	6309	6308
284JM	5.5	4.75	0.53	4.75	14.0	12.5	28.0	7.0	0.80	2.756	13.75	9.356	14.5	14.1	2.35	6310	6310
286JM	5.5	5.5	0.53	4.75	14.0	14.0	29.5	7.0	0.80	2.756	14.5	10.106	14.5	14.1	2.35	6310	6310
324JM	6.25	2.25	0.66	5.25	16.0	14.0	30.3	8.0	1.11	2.756	14.55	10.309	16.0	15.63	2.50	6312	6312
326JM	6.25	6.0	0.66	5.25	16.0	15.5	31.8	8.0	1.11	2.756	15.3	11.059	16.0	15.63	2.50	6312	6312

Frame Desig.	U	AH	AJ	AK	BB	BD Max	BF			EL	EM	EN			EP Min.	EQ	ER Min.	Key seat			ET
							No	Tap Size	Bolt Pen- Allow.			Tap Size	Tab Drill Depth Max	Bolt Pen- Allow.				R	ES Min.	S	
143& 145JM	0.8745 0.8740	4.281 4.219	5.875	4.500 4.497	0.156 0.125	6.62	4	3/8-16	0.56	1.156 1.154	1.0000 0.9995	3/8-1	1.12	0.75	1.156 0.640 0.610	4.25	0.771 0.756	1.65	0.190 0.188	2.890 2.860	
182& 184JM	0.8745 0.8740	4.281 4.219	5.875	4.500 4.497	0.16 0.125	6.62	4	3/8-16	0.56	1.250 1.248	1.0000 0.9995	3/8-1 6	1.12	0.75	1.250 0.640 0.610	4.25	0.771 0.756	1.65	0.190 0.188	2.890 2.860	
213& 215JM	0.8745 0.8740	4.281 4.219	7.250	8.500 8.497	0.312 0.250	9.00	4	1/2-13	0.75	1.750 1.748	1.0000 0.9995	3/8-1 6	1.12	0.75	1.750 0.640 0.610	4.25	0.771 0.756	1.65	0.190 0.188	2.890 2.860	
254& 256JM	1.2495 1.2490	5.281 5.219	7.250	8.500 8.497	0.312 0.250	10.00	4	1/2-13	0.75	1.750 1.748	1.3750 1.3745	1/2-1 3	1.50	1.00	1.750 0.640 0.610	5.25	1.112 1.097	2.35	0.252 0.250	3.015 2.985	
284& 286JM	1.2495 1.2490	5.281 5.219	11.00	12.500 12.495	0.312 0.250	14.00	4	5/8-11	0.94	1.750 1.748	1.3750 1.3745	1/2-1 3	1.50	1.00	2.125 0.645 0.605	5.25	1.112 1.097	2.35	0.252 0.250	3.020 2.980	
324& 326JM	1.2495 1.2490	5.281 5.219	11.00	12.500 12.495	0.312 0.250	14.00	4	5/8-11	0.94	1.750 1.748	1.3750 1.3745	1/2-1 3	1.50	1.00	2.125 0.645 0.605	5.25	1.112 1.097	2.35	0.252 0.250	3.020 2.980	

TEFC C FACE MOUNTING WITH BASE  
1-50 HP MENA 143JP-326JP



All dimensions are from NEMA MG1-18.614, and are measured in inches.  
Dimensions for type JP

Frame	MOUNTING															BEARING	
	E	F	H	BA	A	B	C	D	G	J	L	M	O	P	T	DE	ODE
143JP	2.75	2.0	0.34	2.25	7.0	6.0	12.5	3.5	0.512	1.45	6.05	3.976	7.7	7.4	0	6205	6205
145JP	2.75	2.0	0.34	2.25	7.0	6.0	13.5	3.5	0.512	1.45	6.55	4.469	7.7	7.4	0	6205	6205
182JP	3.75	2.25	0.41	2.75	9.0	6.5	15.3	4.5	0.669	2.04	7.35	4.77	9.0	9.37	1.58	6306	6306
184JP	3.75	2.75	0.41	2.75	9.0	7.5	16.0	4.5	0.669	2.04	7.85	5.276	9.0	9.17	1.58	6306	6306
213JP	4.25	2.75	0.41	3.5	10.5	7.5	19.0	5.25	0.787	2.45	9.25	5.945	10.5	10.9	1.97	6308	6308
215JP	4.25	3.50	0.41	3.5	10.5	9.0	22.5	5.25	0.787	2.45	10.1	6.693	10.5	10.9	1.97	6308	6308
254JP	5.0	4.13	0.53	4.25	12.5	10.8	23.4	6.25	0.866	2.87	10.9	7.992	12.8	13.0	2.35	6309	6308
256JP	5.0	5.0	0.53	4.25	12.5	12.5	25.1	6.25	0.866	2.87	11.8	8.858	12.8	13.0	2.35	6309	6308
284JP	5.5	4.75	0.53	4.75	14.0	12.5	28.0	7.0	0.80	2.756	13.75	9.356	14.5	14.1	2.35	6310	6310
286JP	5.5	5.5	0.53	4.75	14.0	14.0	29.5	7.0	0.80	2.756	14.5	10.106	14.5	14.1	2.35	6310	6310
324JP	6.25	2.25	0.66	5.25	16.0	14.0	30.3	8.0	1.11	2.756	14.55	10.30	16.0	15.63	2.50	6312	6312
326JP	6.25	6.0	0.66	5.25	16.0	15.5	31.8	8.0	1.11	2.756	15.3	11.059	16.0	15.63	2.50	6312	6312

Frame Desig.	U	AH	AJ	AK	BB	BD Max	BF			EL	EM	EN			EP Min.	EQ	ER Min.	Key seat			ET
							No	Tap Size	Bolt Pen- Allow.			Tap Size	Tab Drill Depth Max	Bolt Pen- Allow.				R	ES Min.	S	
143& 145JP	0.8745 0.8740	7.343 7.281	5.875	4.500 4.497	0.156 0.125	6.62	4	3/8-16	0.56	1.156 1.154	1.0000 0.9995	3/8-16	1.12	0.75	1.156 1.578 1.548	7.312	0.77 0.75	1.65	0.190 0.188	5.952 5.922	
182& 184JP	0.8745 0.8740	7.343 7.281	5.875	4.500 4.497	0.156 0.125	6.62	4	3/8-16	0.56	1.250 1.248	1.0000 0.9995	3/8-16	1.12	0.75	1.250 1.578 1.548	7.312	0.77 0.75	1.65	0.190 0.188	5.952 5.922	
213& 215JP	1.2495 1.2490	8.156 8.094	7.250	8.500 8.497	0.312 0.250	9.00	4	1/2-13	0.75	1.750 1.748	1.3750 1.3745	1/2-13	1.50	1.00	1.750 2.390 2.360	8.125	1.11 1.09	2.53	0.252 0.250	5.890 5.860	
254& 256JP	1.2495 1.2490	8.156 8.094	7.250	8.500 8.497	0.312 0.250	10.00	4	1/2-13	0.75	1.750 1.748	1.3750 1.3745	1/2-13	1.50	1.00	1.750 2.390 2.360	8.125	1.11 1.09	2.53	0.252 0.250	5.890 5.955	
284& 286JP	1.2495 1.2490	8.156 8.094	11.00	12.500 12.495	0.312 0.250	14.00	4	5/8-11	0.94	1.750 1.748	1.3750 1.3745	1/2-13	1.50	1.00	2.125 2.390 2.360	8.125	1.11 1.09	2.53	0.252 0.250	5.895 5.860	
324& 326JP	1.2495 1.2490	8.156 8.094	11.00	12.500 12.495	0.312 0.250	14.00	4	5/8-11	0.94	1.750 1.748	1.3750 1.3745	1/2-13	1.50	1.00	2.125 2.395 2.355	8.125	1.11 1.09	2.53	0.252 0.250	5.895 5.855	
364& 365JP	1.6245 1.6240	8.156 8.094	11.00	12.500 12.495	0.312 0.250	14.00	4	5/8-11	0.94	2.125 2.13	1.7500 1.7495	1/2-13	1.50	1.00	2.500 2.395 2.355	8.125	1.41 1.40	2.53	0.377 0.375	5.895 5.855	