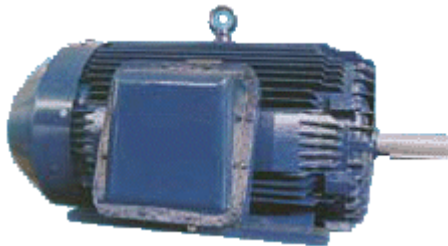


## NEMA Frame Explosion Proof Electric Motors



- Designed and manufactured as per UL674 Suitable for hazardous locations as Class I, Group C&D and Class II, Group E, F&G
- 208-230/460V, 230/460V, 460V, 460V, 575V @ 60HZ
- Service Factor 1.15
- TEFC
- High Efficiency In Accordance with EPACT
- Continuous Duty
- Cast Iron Nema Frame with Rigid Base

- Double Shielded Bearing for 143-215, open cap bearing for 254-449, direct coupled, anti-friction and Deep grooved bearings
- F1/F2 Convertible
- CSA Labelled, Master NO.201248
- Class F thermistor fitted to monitor winding temperature
- Winding and stator VPI treated
- C and D flanges available



ISO9001  
Certified

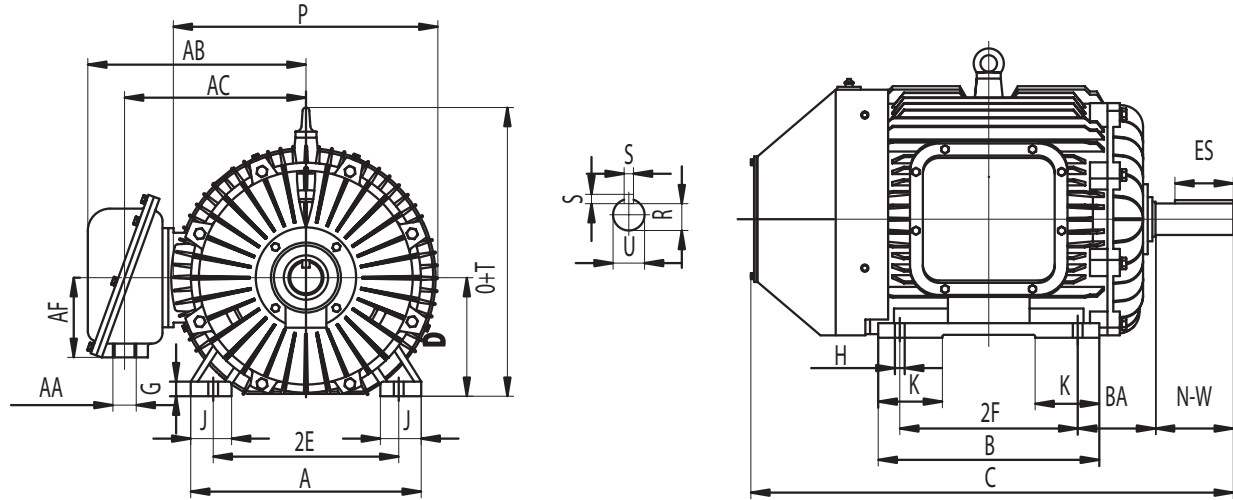
# XP Footed & C-Face Motors (1-300HP)

## PERFORMANCE DATA

HP	RPM	Footed FRAME	C-Face FRAME	TORQUE			FLA		LRA		Efficiency			Power Factor			NEMA Design	Code Letter	SF	Weight (lbs)
				FLT lb-ft	LRT %	BDT %	460V	575V	460V	575V	FL	75%	50%	FL	75%	50%				
1	1725	143T	143TC	3	280	310	1.6	1.3	15	12.0	82.5	81.7	78.1	69	60	47	B	M	1.15	66
	1150	145T	145TC	4.6	170	270	1.9	1.5	15	12.0	80	78	75.2	63	50	38	B	K	1.15	66
1.5	3445	143T	143TC	2.3	180	250	2	1.6	20	16.0	82.5	83.1	82.5	84	79	70	B	K	1.15	62
	1720	145T	145TC	4.6	250	270	2.3	1.8	20	16.0	84	83.8	81	73	64	49	B	L	1.15	70
	1160	182T	182TC	6.8	170	250	2.4	1.9	20	16.0	85.5	84.9	82.5	68	58	43	B	K	1.15	110
2	3505	145T	145TC	3	180	310	2.6	2.1	25	20.0	84	85.7	84	86	81	71	B	K	1.15	70
	1745	145T	145TC	6.1	240	280	2.9	2.3	25	20.0	84	87.7	83.5	78	71	56	B	K	1.15	79
	1165	184T	184TC	9.1	160	240	3.1	2.5	25	20.0	86.5	87.4	83.9	70	60	46	B	K	1.15	112
3	3505	182T	182TC	4.5	160	230	3.8	3.0	32	25.6	85.5	88.2	84.7	87	81	71	B	G	1.15	114
	1745	182T	182TC	9	220	260	3	2.4	32	25.6	87.5	88.2	86.4	81	73	62	B	K	1.15	121
	1165	213T	213TC	13.5	160	230	4.4	3.5	32	25.6	87.5	87.8	86.1	73	65	53	B	K	1.15	187
5	3505	184T	184TC	7.5	150	220	5	4.0	46	36.8	87.5	89	87.9	90	87	80	B	J	1.15	130
	1745	184T	184TC	15	190	230	6.4	5.1	46	36.8	87.5	89.8	87.4	84	79	69	B	G	1.15	134
	1165	215T	215TC	22.5	150	220	7.1	5.7	46	36.8	87.5	90	86.4	75	70	58	B	J	1.15	207
7.5	3505	213T	213TC	11.2	140	200	8.9	7.1	63	50.4	88.5	90.1	88.8	89	87	82	B	H	1.15	231
	1745	213T	213TC	22.6	180	220	9.1	7.3	63	50.4	89.5	89.9	87.9	81	75	64	B	H	1.15	242
	1170	254T	254TC	33.6	160	210	9.8	7.8	63	50.4	89.5	90.5	89.7	75	70	62	B	H	1.15	275
10	3505	215T	215TC	15	140	210	11.9	9.5	81	64.8	89.5	90.6	89.8	88	87	83	B	H	1.15	264
	1745	215T	215TC	30.1	300	200	12.9	10.3	81	64.8	89.5	91.4	88.9	81	78	60	B	H	1.15	262
	1170	256T	256TC	44.9	160	210	13.3	10.6	81	64.8	89.5	91	90.2	78	75	66	B	H	1.15	308
15	3515	254T	254TC	29.9	140	210	22.8	18.2	145	116.0	90.2	91.5	91	91	90	85	B	G	1.15	363
	1760	254T	254TC	44.7	160	200	18.2	14.6	116	92.8	91	91.5	90.8	85	81	72	B	G	1.15	341
	1170	284T	284TC	67.3	150	210	18.8	15.0	116	92.8	90.2	91.4	89.9	83	79	70	B	G	1.15	495
20	3520	256T	256TC	22.4	130	200	17.3	13.8	116	92.8	90.2	90.9	90.5	90	88	83	B	G	1.15	330
	1755	256T	256TC	59.8	160	210	24.2	19.4	145	116.0	91	93.1	91.3	85	83	75	B	G	1.15	374
	1170	286T	286TC	89.7	140	210	24.7	19.8	145	116.0	90.2	91.9	91.5	84	81	73	B	G	1.15	550
25	3525	284TS	284TSC	37.2	130	210	28.6	22.9	182	145.6	91	91.6	91.4	90	89	85	B	F	1.15	462
	1765	284T	284TC	74.4	150	210	28.2	22.6	182	145.6	92.4	93.1	93	90	87	81	B	G	1.15	572
	1175	324T	324TC	111.7	140	210	30.8	24.6	182	145.6	91.7	91.9	91.4	83	79	70	B	G	1.15	616
30	3525	286TS	286TSC	44.7	130	200	33.9	27.1	217	173.6	91	91	91.5	91	90	86	B	F	1.15	528
	1765	286T	286TC	89.2	150	210	33.8	27.0	217	173.6	92.4	93.4	93	90	88	82	B	H	1.15	627
	1175	326T	326TC	134	140	210	36.5	29.2	217	173.6	91.7	93.3	91.4	84	80	71	B	G	1.15	660
40	3540	324TS	324TSC	59.3	130	210	45.4	36.3	290	232.0	91.7	92.6	91.7	90	84	84	B	G	1.15	649
	1770	324T	324TC	118.6	150	200	45.3	36.2	290	232.0	93	93.5	93.1	89	86	80	B	G	1.15	669
	1180	364T	364TC	178	140	210	47.4	37.9	290	232.0	93	93.4	93	85	81	74	B	G	1.15	869
50	3550	326TS	326TSC	73.9	130	210	56.2	45.0	362	289.6	92.4	93.1	92.2	90	89	84	B	G	1.15	693
	1770	326T	326TC	148.3	140	200	56.6	45.3	362	289.6	93	93.8	93.3	89	87	81	B	G	1.15	715
	1180	365T	365TC	222.5	140	200	58.6	46.9	362	289.6	93	94	93.1	86	83	76	B	G	1.15	902
60	3560	364TS	364TSC	88.5	130	200	67.2	53.8	435	348.0	93	93.2	92.7	90	88	84	B	G	1.15	875
	1775	364T	364TC	177.5	140	210	67.5	54.0	435	348.0	93.6	94.3	93.6	89	87	82	B	G	1.15	880
	1185	404T	404TC	265.8	140	210	69	55.2	435	348.0	93.6	94	93.9	87	85	80	B	G	1.15	1166
75	3565	365TS	365TSC	110.4	110	200	83	66.4	542	433.6	93	93.9	92.8	91	89	85	B	G	1.15	902
	1775	365T	365TC	221.8	150	210	83.9	67.1	542	433.6	94.1	94.8	94.1	89	87	82	B	G	1.15	946
	1185	405T	405TC	332.3	140	200	85.3	68.2	542	433.6	93.6	94.4	93.9	88	87	82	B	G	1.15	1243
100	3565	405TS	405TSC	147.3	110	210	110	88.0	725	580.0	93.6	93.9	93.7	91	90	87	B	G	1.15	1276
	1775	405T	405TC	295.8	130	200	110.2	88.2	725	580.0	94.5	94.8	94.6	90	89	85	B	G	1.15	1298
	1185	444T	444TC	443	130	200	111.9	89.5	725	580.0	94.1	94.4	94.2	89	88	84	B	G	1.15	1588
125	3570	444TS	444TSC	183.8	100	210	137.7	110.2	907	725.6	94.5	94.4	93.8	90	87	81	B	G	1.15	1551
	1780	444T	444TC	368.7	110	210	137.7	110.2	907	725.6	94.5	94.7	94.6	90	88	84	B	G	1.15	1540
	1185	445T	445TC	553.8	130	200	139.8	111.8	907	725.6	94.1	94.5	94.3	89	88	84	B	G	1.15	1698
150	3570	445TS	445TSC	220.6	110	200	165.2	132.2	1085	868.0	94.5	94.4	93.9	90	88	82	B	G	1.15	1661
	1780	445T	445TC	442.4	120	210	164.4	131.5	1085	868.0	95	95.2	95.1	90	89	85	B	G	1.15	1698
	1185	445T	445TC	664.6	130	200	168.1	134.5	1085	868.0	95	95.2	95	88	87	84	B	G	1.15	1830
200	3570	445TS	445TSC	294.1	110	210	219.2	175.4	1450	1160.0	95	95.1	94.7	90	89	85	B	G	1.15	1760
	1785	445T	445TC	588.2	110	210	219.2	175.4	1450	1160.0	95	95.4	95.3	90	89	86	B	G	1.15	1830
	1185	447T	447TC	886.1	120	210	224.2	179.4	1450	1160.0	95	95.2	95.1	88	87	84	B	G	1.15	2112
250	3575	447TS	447TSC	367.1	100	200	272.8	218.2	1825	1460.0	95.4	95.5	95.2	90	89	85	B	G	1.15	1980
	1785	449T	449TC	735.3	100	200	274	219.2	1825	1460.0	95	95.3	95.1	90	89	86	B	G	1.15	2090
	1185	449T	449TC	1108	100	200	280.2	224.2	1825	1460.0	95	95.3	95.1	88	87	84	B	G	1.15	2398
300	3575	449TS	449TSC	440.6	110	200	327.4	261.9	2200	1760.0	95.4	95.5	95.1	90	89	85	B	G	1.15	2310
	1785	449T	449TC	882.4	110	210	327.4	261.9	2200	1760.0	95.4	95.7	95.6	90	89	87	B	G	1.15	2409

# Footed Motors (1-300HP)

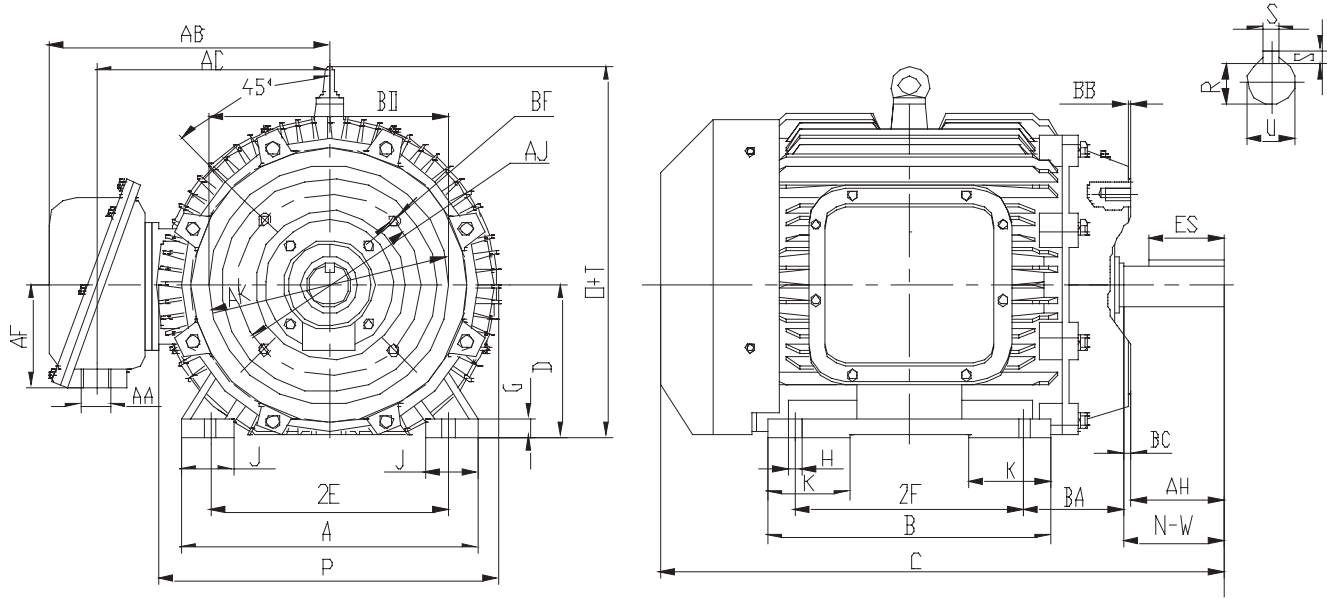
## MOUNTING DIMENSIONS



FRAME	A max.	B max.	C	D	2E	2F	G	H	J	O	P	R	S	T	U	V min.	ES min.	AA NPT	AB	BA	N-W	Bearings	
																						DE	ODE
143T	7	6.9	14.6	3.5	5.5	4	0.5	0.3	1.4	7.6	7.5	0.771	0.188	1.6	0.875	2	1.41	.75	6.9	2.25	2.25	6205ZZ	6205ZZ
145T	7	6.9	14.6	3.5	5.5	5	0.5	0.3	1.4	7.6	7.5	0.771	0.188	1.6	0.875	2	1.41	.75	6.9	2.25	2.25	6205ZZ	6205ZZ
182T	9	8	17.1	4.5	7.5	4.5	0.7	0.4	1.8	9	9.8	0.986	0.25	1.6	1.125	2.5	1.78	.75	8.3	2.75	2.75	6306ZZ	6306ZZ
184T	9	8	17.1	4.5	7.5	5.5	0.7	0.4	1.8	9	9.8	0.986	0.25	1.6	1.125	2.5	1.78	.75	8.3	2.75	2.75	6306ZZ	6306ZZ
213T	10	8.7	20.3	5.25	8.5	5.5	0.8	0.4	2.4	10.5	11.4	1.201	0.312	2	1.375	3.12	2.41	1	10	3.5	3.38	6308ZZ	6308ZZ
215T	10	8.7	20.3	0.25	8.5	7	0.8	0.4	2.4	10.5	11.4	1.201	0.312	2	1.375	3.12	2.41	1	10	3.5	3.38	6308ZZ	6308ZZ
254T	12.5	12.5	26.2	6.25	10	8.25	0.9	0.5	2.8	13.4	14.1	1.416	0.375	2.4	1.625	3.75	2.91	1.25	13.6	4.25	4	6309	6309
256T	12.5	12.5	26.2	6.25	10	10	0.9	0.5	2.8	13.4	14.1	1.416	0.375	2.4	1.625	3.75	2.91	1.25	13.6	4.25	4	6309	6309
284T	14	14	29.6	7	11	9.5	0.9	0.5	2.8	15.2	15.8	1.501	0.5	2.4	1.875	4.38	3.28	1.5	14.3	4.75	4.62	6310	6310
284TS	14	14	28.2	7	11	9.5	0.9	0.5	2.8	15.2	15.8	1.416	0.375	2.4	1.625	3	1.91	1.5	14.3	4.75	3.25	6310	6310
286T	14	14	29.6	7	11	11	0.9	0.5	2.8	15.2	15.8	1.591	0.5	2.4	1.875	4.38	3.28	1.5	14.3	4.75	4.62	6310	6310
286TS	14	14	28.2	7	11	11	0.9	0.5	2.8	15.2	15.8	1.416	0.375	2.4	1.625	3	1.91	1.52	14.3	4.75	3.25	6310	6310
324T	16	15	33.3	8	12.5	10.5	1.1	0.7	2.8	17.5	18	1.854	0.5	2.5	2.125	5	3.91	2	15.6	5.25	5.25	6312	6312
324TS	16	15.5	33.7	8	12.5	10.5	1.1	0.7	2.8	17.5	18	1.591	0.5	2.5	1.875	3.5	2.03	2	15.6	5.25	3.75	6312	6312
326T	16	15.5	33.3	8	12.5	12	1.1	0.7	2.8	17.5	18	1.854	0.5	2.5	2.125	5	3.91	2	15.6	5.25	5.25	6312	6312
326TS	16	15.5	31.7	8	12.5	12	1.1	0.7	2.8	17.5	18	1.591	0.5	2.5	1.875	3.5	2.03	3	15.6	5.25	3.75	6312	6312
364T	18	16.2	35.5	9	14	11.25	1.1	0.7	3	19	19.5	2.021	0.625	2.5	2.375	5.62	4.28	3	16.5	5.88	5.88	6313	6313
364TS	18	16.2	33.3	9	14	11.25	1.1	0.7	3	19	19.5	1.591	0.5	2.5	1.875	3.5	2.03	3	16.5	5.88	3.75	6313	6313
365T	18	16.2	35.5	9	14	12.25	1.1	0.7	3	19	19.5	2.021	0.625	2.5	2.375	5.62	4.28	3	16.5	5.88	5.88	6313	6313
365TS	18	16.2	33.3	9	14	12.25	1.1	0.7	3	19	19.5	1.501	0.5	2.5	1.875	3.5	2.03	3	16.5	5.88	3.75	6313	6313
404T	20	17.8	38.6	10	16	12.25	1.2	0.8	3.2	21.3	21.6	2.45	0.75	2.9	2.875	7	5.65	3	18.7	6.62	7.25	6316	6316
404TS	20	17.8	35.6	10	16	12.25	1.2	0.8	3.2	21.3	21.6	1.045	0.5	2.9	2.125	4	2.78	3	18.7	6.62	4.25	6313	6313
405T	20	17.8	38.6	10	16	13.75	1.2	0.8	3.2	21.3	21.6	2.45	0.75	2.9	2.875	7	5.65	3	18.7	6.62	7.25	6316	6316
405TS	20	17.8	35.6	10	16	13.75	1.2	0.8	3.2	21.3	21.6	1.845	0.5	2.9	2.125	4	2.78	3	18.7	6.62	4.25	6313	6313
444T	22	20.5	45.8	11	18	14.5	1.4	0.8	3.4	23.5	24	2.88	0.875	3.5	2.375	8.25	6.91	3	19.7	7.5	8.5	6318	6314
444TS	22	20.5	41.8	11	18	14.5	1.4	0.8	3.4	23.5	24	2.021	0.625	3.5	2.375	4.5	3.03	3	19.7	7.5	4.75	6314	6314
445T	22	20.5	45.5	11	18	16.5	1.4	0.8	3.4	23.5	24	2.88	0.875	3.5	2.375	8.25	6.91	3	19.7	7.5	8.5	6318	6314
445TS	22	20.5	41.8	11	18	16.5	1.4	0.8	3.4	23.5	24	2.021	0.625	3.5	2.375	4.5	3.03	3	19.7	7.5	4.75	6314	6314
447T	22	29	57.3	11	18	20	1.4	0.8	3.4	23.5	24	2.88	0.875	4.3	2.375	8.25	6.91	3	19.7	7.5	8.5	6318	6314
447TS	22	29	53.5	11	18	20	1.4	0.8	3.4	23.5	24	2.021	0.625	4.3	2.375	4.5	3.03	3	19.7	7.5	4.75	6314	6314
449T	22	29	57.3	11	18	25	1.4	0.8	3.4	23.5	24	2.88	0.875	4.3	2.375	8.25	6.91	3	19.7	7.5	8.5	6318	6314
449TS	22	29	53.5	11	18	25	1.4	0.8	3.4	23.5	24	2.021	0.625	4.3	2.375	4.5	3.03	3	19.7	7.5	4.75	6314	6314

# XP C-Face Motors (1-300HP)

## MOUNTING DIMENSIONS



FRAME	AJ	AK	BA	BB (Min)	BC	BD (Max)	BF Hole			U	AH	Key Seat		
							Number	Tap Size	Bolt Depth			R	ES Min	S
143TC - 145TC	5.9	4.5	2.25	0.16	0.12	6.5	4	3/8-16	0.56	0.875	2.12	0.771	1.41	0.188
182TC - 184TC	7.3	8.5	2.75	0.25	0.12	9	4	1/2-13	0.75	1.125	2.62	0.986	1.78	0.25
213TC - 215TC	7.3	8.5	3.5	0.25	0.25	9	4	1/2-13	0.75	1.375	3.12	1.201	2.41	0.312
254TC - 256TC	7.3	8.5	4.75	0.25	0.25	10	4	1/2-13	0.75	1.625	3.75	1.416	2.91	0.375
284TC - 286TC	9	10.5	4.75	0.25	0.25	11.25	4	1/2-13	0.75	1.875	4.38	1.591	3.28	0.5
284TS - 286TSC	9	10.5	4.75	0.25	0.25	11.25	4	1/2-13	0.75	1.625	3	1.416	1.91	0.375
324TC - 326TC	11	12.5	5.25	0.25	0.25	14	4	5/8-11	0.94	2.125	5	1.845	3.91	0.5
324TSC - 326TSC	11	12.5	5.25	0.25	0.25	14	4	5/8-11	0.94	1.875	3.5	1.591	2.03	0.5
364TC - 365TC	11	12.5	5.88	0.25	0.25	14	8	5/8-11	0.94	2.375	5.62	2.021	4.28	0.625
364TSC - 365TSC	11	12.5	5.88	0.25	0.25	14	8	5/8-11	0.94	1.875	3.5	1.591	2.03	0.5
404TC - 405TC	11	12.5	6.62	0.25	0.25	15.5	8	5/8-11	0.94	2.875	7	2.45	5.65	0.75
404TSC - 405TSC	11	12.5	6.62	0.25	0.25	15.5	8	5/8-11	0.94	2.125	4	1.845	2.78	0.5
444TC - 445TC	14	16	7.5	0.25	0.25	18	8	5/8-11	0.94	3.375	8.25	2.88	6.91	0.875
444TSC - 445TSC	14	16	7.5	0.25	0.25	18	8	5/8-11	0.94	2.375	4.5	2.021	3.03	0.625