

# MEDIUM VOLTAGE-TEFC (5011 SERIES)



- FRAME SIZE 5011.
- STATOR WINDING FORM WOUND VPI CLASS F INSULATION.
- COMPUTER-AIDED VENTILATION DESIGN.
- AVAILABLE FROM 300 HP TO 500 HP.
- CONTINUOUS DUTY, 1.15 S.F.
- 3/60/2300V, 4000V, 4160V.

## Standard Premium Features

### 1. Application:

Direct coupled is standard. (all ratings can be modified for belt drive applications).

### 2. Extra Rugged Frame

Made from quality cast iron for maximum strength and rigidity.  
Deep ribbed design ensures maximum heat exchange.

### 3. Rotor Construction And Balance

Specially designed rotor slots minimize stray losses and improve torque.  
Aluminum-bar and cooling fan give rugged and reliable operation.  
Rotors are then dynamically balanced to I.E.E.E standards.

### 4. Computer-Aided Ventilation Design

The shape of the bi-directional, non-sparking fan blades and the distance between fan and bracket give maximum air flow and minimize windage noise.

### 5. Long life Bearings

Open type full grease relief systems, deep groove ball bearings for quiet operation.  
Insulated NDE bearing bracket prevent bearing damage due to electric circulation current.

### 6. Rigid Shaft

High-grade steel shaft material is used to provide sufficient strength against torque and vibration stress.

### 7. Stainless Steel Nameplate

Easy-to-read and long-life nameplate made of corrosion-free stainless steel.

### 8. Specially Designed Over Sized Cast Iron Conduit Box

Made from quality cast iron, rotatable in 90° turns give plenty of room to make proper connections and easy installation.

### 9. Stator Winding Insulation (Form wound V.P.I. Class F insulation)

The insulation of individual coil consists of a fine-mica tape which is impregnated with special resin and is highly resistant to corona.

### 10. All series provided with winding RTD and Space Heater.

# MEDIUM VOLTAGE-TEFC(5011 SERIES)

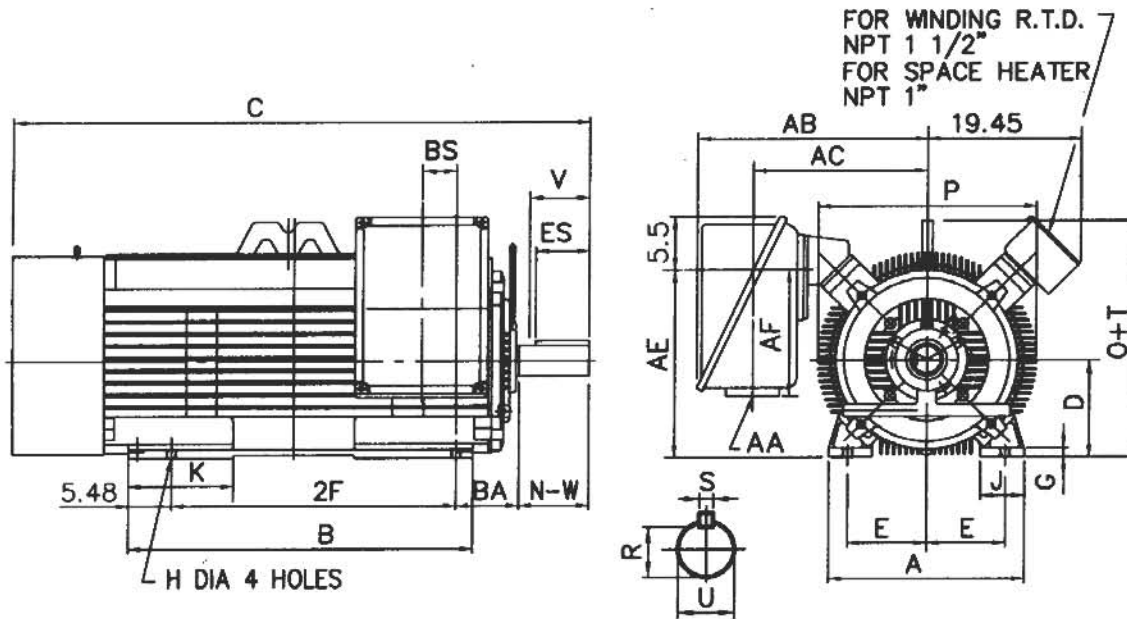
Totally Enclosed Fan Cooled, Squirrel Cage Rotor.

Frame Size: 5011

3/60/2300, 4000, 4160V

Class F Insulation, 40°C Ambient

Continuous Duty, 1.15 S.F.



DIMENSIONS IN INCHES

3RD ANGLE PROJECTION

A	B	C	D	E	2F	G	H	J	K	O+T	P	AA
24.80	43.62	80.08	12.50	10.00	36.00	1.16	1.10	5.51	13.39	30.41	28.19	NPT4"
AB	AC	AE	AF	BA	BS	ES	N-W	R	S	U	V	
28.20	21.78	23.00	16.15	8.50	4.56	10.00	11.61	3.309	1.00	3.875	11.36	

- Note: 1. Dimension D tolerance: +0.00 inch, -0.06 inch.  
 2. Dimension U tolerance: +0.000 inch, -0.001 inch.  
 3. Dimension R tolerance: +0.000 inch, -0.015 inch.  
 4. Dimension V is the length of straight part of shaft.

## PERFORMANCE DATA

HP	Full Load RPM	FULL LOAD				Locked Rotor		Breakdown Torque %FLT	Rotor WR* lb-ft*	NEMA Code LETTER	Approx. Weight (LBS)
		Torque lb-ft	Eff %	P.F. %	Current At 4160V	Torque %FLT	Current (4160) Amps				
300	1185	1329	94.3	73.0	45.1	110	260	210	180	G	4400
350	1185	1550	94.5	74.0	51.8	110	300	210	200	G	4730
400	1185	1772	94.8	74.0	59.0	120	340	220	220	G	5060
450	1185	1990	95.0	74.0	66.3	120	385	220	240	G	5390
350	1785	1050	94.3	83.0	46.3	110	275	220	135	F	4325
400	1785	1176	94.5	83.0	52.8	110	310	220	150	F	4570
450	1785	1320	95.0	84.0	58.4	110	345	220	160	F	4815
500	1785	1471	95.5	84.0	64.5	110	380	230	175	F	5060

- Note: 1. The above data is based on test as depicted on item 2.  
 2. Test method: Per ANSI/IEEE standard 112 method B and reduced voltage measuring starting performance.  
 3. For direct coupled. (Belt drive on request)

**ALL DATA SUBJECT TO CHANGE WITHOUT NOTICE.**