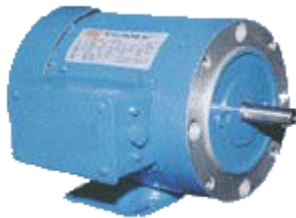


Single Phase Rolled Steel Frame Motors



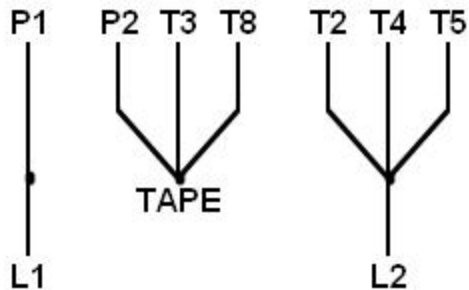
- NEMA frame TEFC ODP style
 - Capacitor start and resistant start available.
 - Rolled steel NEMA frame 48, 56C, 145T, 182T, 213T, 215T available.
 - High starting torque
 - C face available, rigid and resilient base available
- 115/230V @ 60Hz or at request



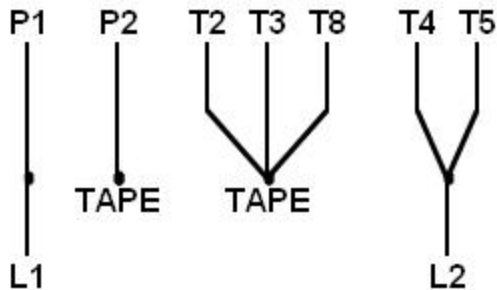
- High quality bearings
- Thermal protector available at request
- High efficiency as exact



115 V



230 V



CONNECTER LA LIGNE À L1 & L2

POUR INVERSER LA ROTATION, INTERCHANGER T5 & T8

CONNECT LEAD TO L1 & L2

TO REVERSE ROTATION INTERCHANGE T5 & T8 LEADS

TECHNICAL DATA 60Hz(TEFC)

Type	HP	Service Factor S.F	Voltage (V)	Current (A)	Freq (Hz)	Speed (r/min)	Eff (%)	Power factor	<u>Start Torque</u> Rated Torque	<u>Max Torque</u> Rated Torque	<u>Starting Current</u> Rated Current	Note
ACN5602	1/4	1.15	115/230	1.7	60	3450	56	0.82	3.0	1.8	7	
ACN5612	1/3	1.15	115/230	2.4	60	3450	57	0.82	3.0	1.8	7	
ACN5622	1/2	1.15	115/230	3.1	60	3450	63	0.83	2.8	1.8	7	
ACN5632	3/4	1.15	115/230	4.5	60	3450	64	0.83	2.8	1.8	7	
ACN5642	1	1.15	115/230	6.2	60	3450	64	0.83	2.5	1.8	7	
ACN5672	1½	1.15	115/230	8.7	60	3450	66	0.84	2.5	1.8	7	
ACN5692(145T)	2	1.15	230	10.8	60	3450	72	0.84	2.5	1.8	7	
ACN5692(145T)	3	1.15	230	12.8	60	3450	79	0.95	1.7	1.7	6	Couple Capacitor
ACN5614	1/4	1.15	115/230	2.2	60	1720	58	0.59	2.8	1.8	7	
ACN5624	1/3	1.15	115/230	3.0	60	1720	60	0.59	2.8	1.8	7	
ACN5634	1/2	1.15	115/230	4.0	60	1720	62	0.65	2.5	1.8	7	
ACN5644	3/4	1.15	115/230	4.6	60	1720	73	0.71	2.5	1.8	7	
CAN5674	1	1.15	115/230	6.1	60	1720	73	0.73	2.5	1.8	7	
ACN5694(145T)	1½	1.15	230	8.4	60	1720	74	0.77	2.5	1.8	7	
ACYN5694(145T)	2	1.15	230	9.0	60	1720	76	0.95	1.7	1.7	6	Couple Capacitor

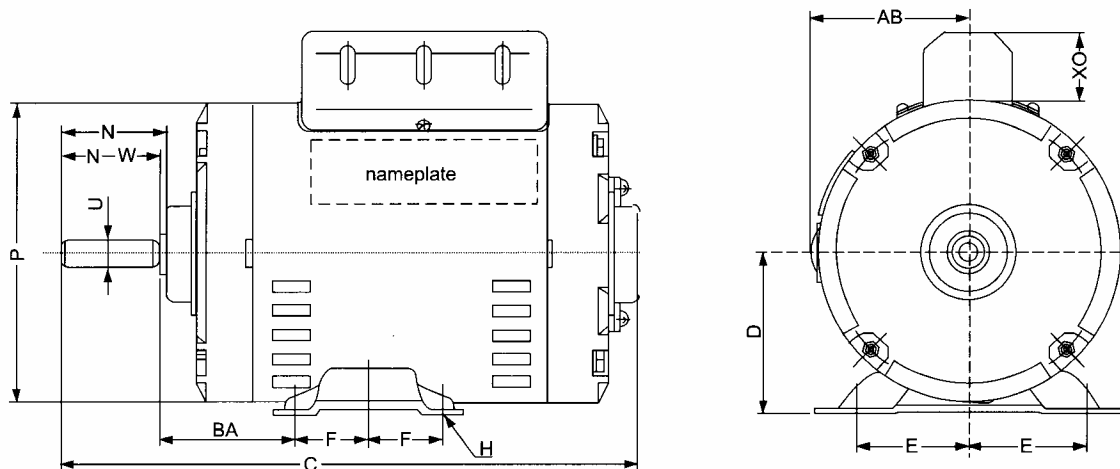
Note: The current data are for 230V

TECHNICAL DATA 60Hz(ODP)

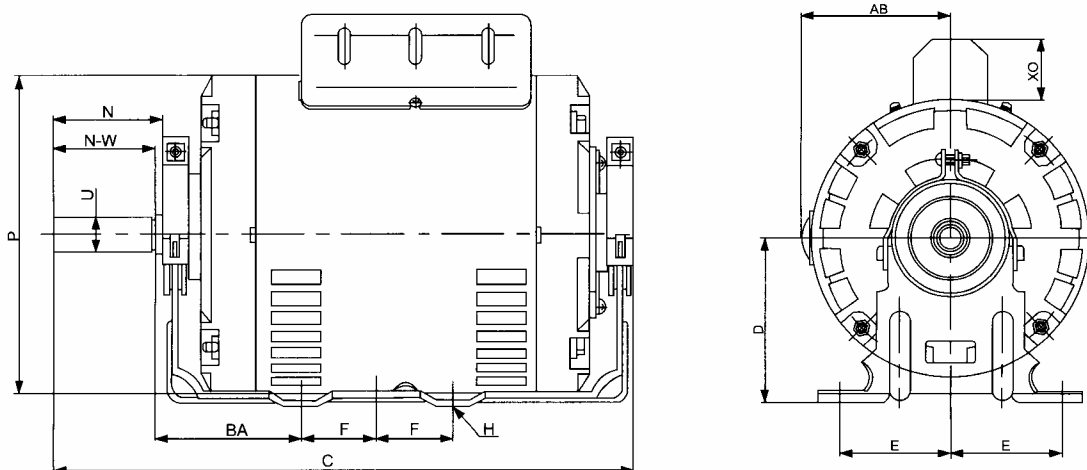
Type	HP	Service Factor S.F	Voltage (V)	Current (A)	Freq (Hz)	Speed (r/min)	Eff (%)	Power factor	<u>Start Torque</u> Rated Torque	<u>Max Torque</u> Rated Torque	<u>Starting Current</u> Rated Current	Note
AC4802k	1/4	1.15	115/230	2.3	60	3400	58	0.6	3.0	1.8	7	
AC4812k	1/3	1.15	115/230	3.0	60	3400	60	0.61	3.0	1.8	7	
AC4822k	1/2	1.15	115/230	4.0	60	3400	64	0.63	2.8	1.8	7	
AC4832k	3/4	1.15	115/230	5.7	60	3400	66	0.64	2.8	1.8	7	
ACN5642k	1	1.15	115/230	6.2	60	3450	64	0.83	2.5	1.8	7	
ACN5672k	1½	1.15	115/230	8.7	60	3450	66	0.84	2.5	1.8	7	
ACN5692(145T)	2	1.15	230	10.8	60	3450	72	0.84	2.5	1.8	7	
ACN5692(145T)	3	1.15	230	12.8	60	3450	79	0.95	1.7	1.7	6	Couple Capacitor
ACN4814k	1/4	1.15	115/230	2.3	60	1720	56	0.6	2.8	1.8	7	
ACN4824k	1/3	1.15	115/230	2.9	60	1720	60	0.62	2.8	1.8	7	
ACN4834k	1/2	1.15	115/230	4.2	60	1720	62	0.62	2.5	1.8	7	
ACN5644k	3/4	1.15	115/230	4.6	60	1720	73	0.71	2.5	1.8	7	
CAN5674k	1	1.15	115/230	6.1	60	1720	73	0.73	2.5	1.8	7	
ACN5694(145T)	1½	1.15	230	8.4	60	1720	74	0.77	2.5	1.8	7	
ACYN5694(145T)	2	1.15	230	9.0	60	1720	76	0.95	1.7	1.7	6	Couple Capacitor

Note: The current data are for 230V

OVERALL MOUNTING DIMENSION(48 FRAME)



48 frame (ODP) rigid base

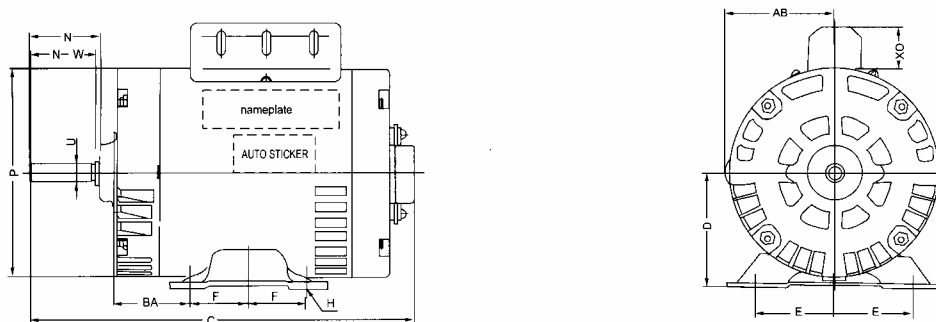


48 frame (ODP) resilient base

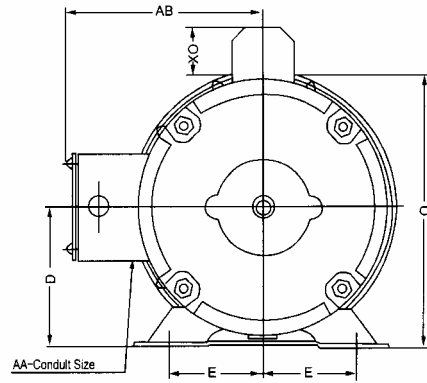
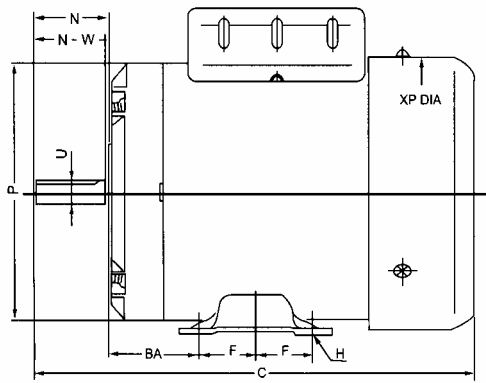
NEMA FRAME DIMENSION(Inches)

NEMA Frame Size▲	D	E	F	H	N	O	P	U	N-W	AA	AB	BA	XO	XP
48	3	2 ¹ / ₈	1 ³ / ₈	1 ¹ / ₂ slot	1 ⁹ / ₈	5 ¹³ / ₈	5 ⁹ / ₂	1/2	1 ¹ / ₂	1/2	4 ¹ / ₈	2 ¹ / ₂	2 ¹ / ₄	5 ⁷ / ₈

OVERALL MOUNTING DIMENSIONS (56 FRAME)



56 FRAME (ODP) rigid base



56 and 145T frame (TEFC) rigid base

NEMA FRAME DIMENSIONS (Inches)

NEMA Frame Size▲	D	E	F	H	N	O	P	U	N-W	AA	AB	BA	XO	XP
56	3½	2 ⁷ / ₁₆	1½	1 ¹¹ / ₃₂ slot	1 ⁵ / ₁₆	6 ⁵ / ₁₆	6 ⁹ / ₃₂	5 ⁵ / ₈	1 ⁷ / ₈	½	5 ⁵ / ₁₆	2 ³ / ₄	2 ¹ / ₄	7 ⁵ / ₃₂
145T	3½	2 ³ / ₄	1½	1 ¹¹ / ₂	2 ³ / ₈	6 ⁵ / ₁₆	6 ⁹ / ₃₂	7 ⁷ / ₈	1¼	½	5 ⁵ / ₁₆	2 ¹ / ₄	2¼	7 ⁵ / ₃₂

PERFORMANCE DATA (Large Frame ODP)

HP	Frame	RPM	Model	Volts	Torque			Current		Full Load Efficiency %	Power Factor %	Approx Net Weight Lbs
					Full Load Lb-Ft	Locked Rotor %	Break Down %	Amps				
								Full Load	Locked Rotor			
3	182T	1740	AD182T3S4C	115/230	9.1	≥242	143~209	31/15.5	180/90	86.5	74.0	90.0
5	184T	1750	AD184T5S4C	230	15.0	≥220	127~200	22.5	135	87.5	85.0	96.0
7.5	213T	1760	AD213T7.5S4C	230	22.4	≥200	134~200	31	200	88.5	85.0	130.0
10	215T	1760	AD215T10S4C	230	29.9	≥174	150~200	41	260	89.5	85.0	160.0

INSTALLATION DIMENSION

INCHES

NEMA FRAME	A _{max}	B	C	D	H	BA	E	2F1	2F2	AB	AC	AA	T	O	P	SHAFT DIMENSION		KEYSEAT		
																N-W	U	S	R	ES
182T	90	6.7	16.0	4.50	0.41	2.75	7.5	4.5	5.5	7.3	5.7	1.1	1.97	9.25	8.66	275	1.1250	0.250	0.986	1.78
184T																				
213T	100	6.7	19.1	5.25	0.41	3.50	8.5	5.5	7.0	11.3	8.0	1.1	1.97	10.7	10.3	338	1.3750	0.312	1.201	2.41
215T																				

